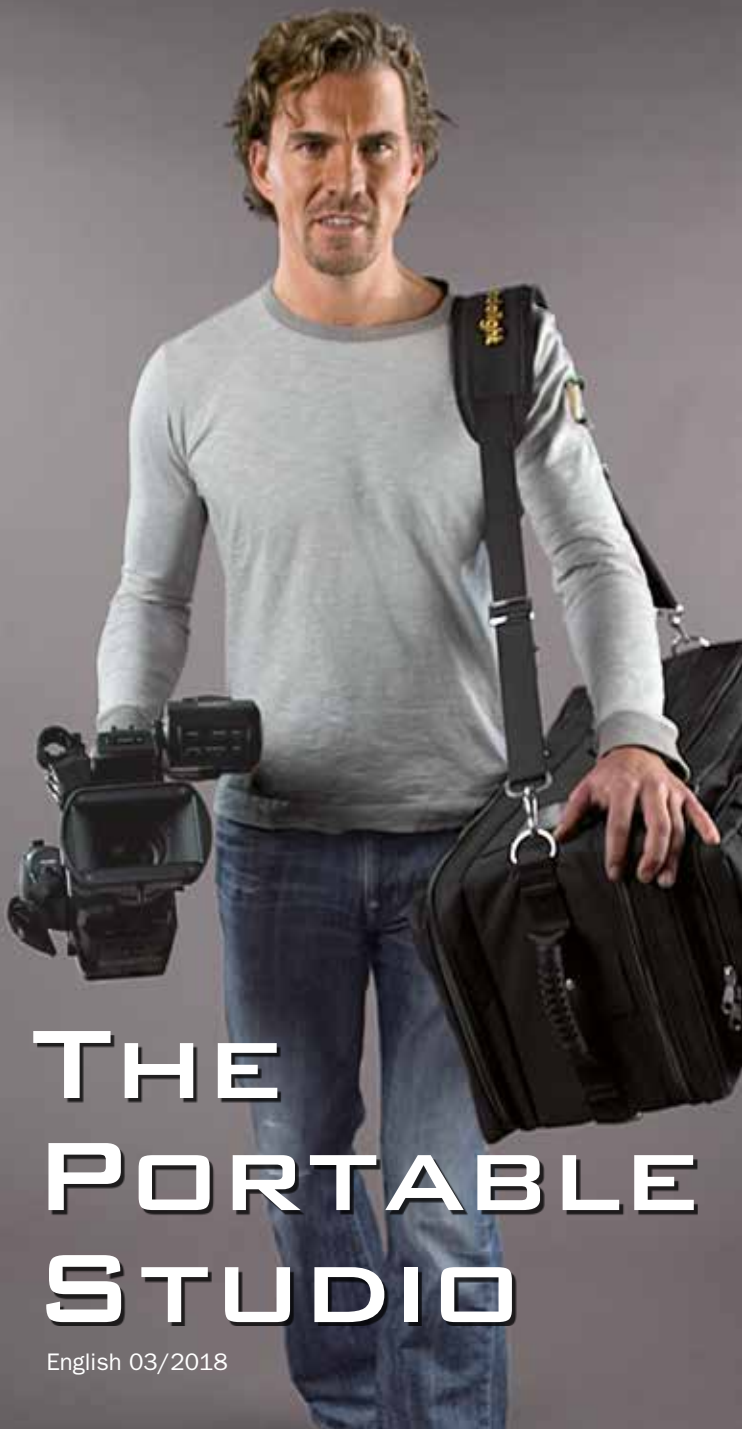


 dedolight®

PRECISION LIGHTING INSTRUMENTS



THE PORTABLE STUDIO

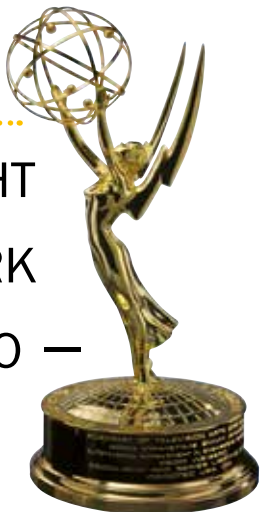
English 03/2018

5-LIGHT-KIT (SOFT CASE)



Code: **SPS5**

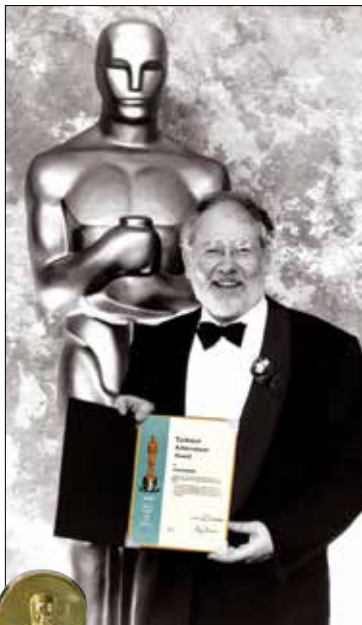
MAKE WORK LIGHT MAKE LIGHT WORK PORTABLE STUDIO – THE CONCEPT



The Portable Studio gives you all the power of dedolight's award winning lights in a package compact enough for even a one person camera crew. Comparable lighting kits from other manufacturers can weigh three times as much, are more than three times the size and don't offer the same potential.

Elements of this lighting system are regularly used on elaborate Hollywood film productions (\$100 million blockbusters) and for intricate special effects sequences, such as on Harry Potter, Armageddon and Lord of the Rings.

It's no surprise that dedolight won two awards from the Oscar Committee of the Academy of Motion Picture Arts and Sciences and an Emmy from the Academy of Television Arts and Sciences.



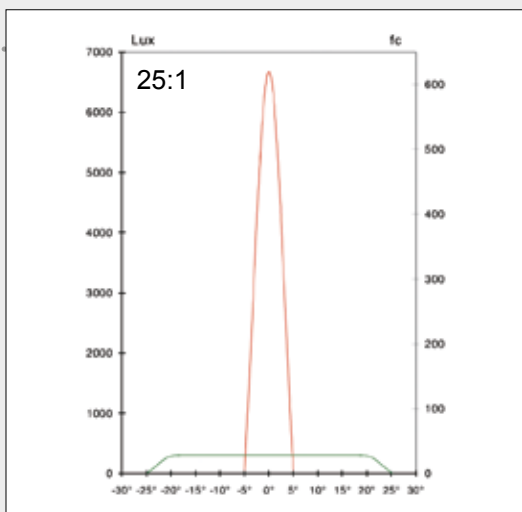
THE FOCUSING LIGHTS

Our revolutionary optical system uses two unique aspheric lenses.

The front lens is fixed, but the other moves either with the lamp and reflector OR relative to both the lamp and reflector (patented).

The 150 W light offers:

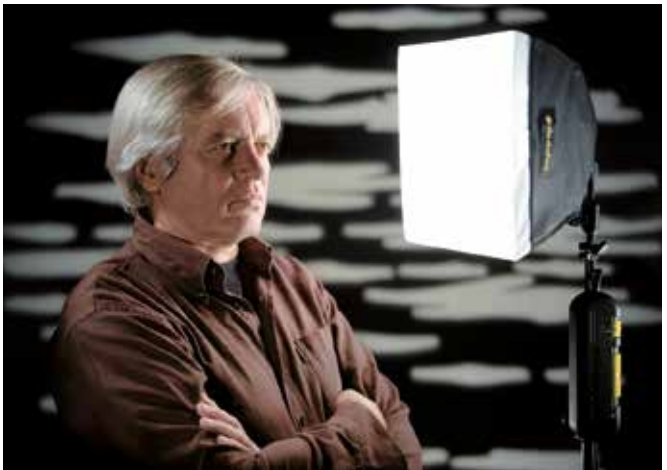
- More light output than a 500 W studio luminaire
- Perfect light distribution in all focusing positions



THE SOFT LIGHTS

dedolights

- Give a lot of light for a few watts – beautiful light.
- Double the light output compared to the output of a soft box in front of traditional studio lights.
- Pleasant smooth light distribution with no hot spots. Perfect portrait – key light (see also page 12).



EXTENDED REACH

Traditional studio luminaires of a comparable size offer a focusing range (change of intensity in the center of the lit area) of about 3:1. dedolight operates up to 25:1, giving it a much larger variation between flood and spot, higher output, and control that is more precise. This allows the professional to place the light further away, keeping it out of shot, while allowing people to move around the lit area with less noticeable change in intensity.



Flood



Medium



Spot

BETTER LIGHT FOR PRECISION LIGHTING

- The dedolight distributes perfectly even light across the lit area in all focusing positions – without hot spots or bright rings.
- It also emits a pure beam with no stray light to offer the cleanest, most defined light beam. To soften the beam edges, fit any of 23 different diffusion gels. No filter or gel exists that can make an undefined light beam more precise.

BETTER

CONTROL

DBD8

No light source can offer cleaner shadow edges than our 8-leaf barn doors (due to our patented optical system).



DBD8

DLWAR

Aspherical wide-angle attachment computed to match dedolight optics. Widens beam angle to 90°. Retaining perfect light and color distribution and focusability.

Utilising patented rotation of barn door leaves for parallel shadow edge, when lighting from an acute angle.



DLWAR

DGRADF03/06/09

Graduated grey filters (on heat-resistant Borosilicate glass) offers smooth light distribution when lighting from an angle. Three steps of intensity: 0.3/0.6/0.9 for different angles of incidence or effects.

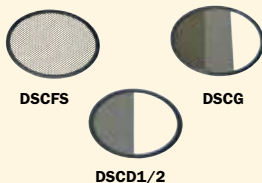


DGRADF03, DGRADF06,
DGRADF09

DSCK SET

Scrim sets consist of:

DSCFS (full single), **DSCFD** (full double), **DSCD1/2** (1/2 double), **DSCS1/2** (half single) and **DSCG** (graduated).
(one each in DSCK set)



DSCFS

DSCG

DSCD1/2



DTCF

DDCF

DDCF tungsten to daylight

DTCF daylight to tungsten

Dichroic conversion filters.

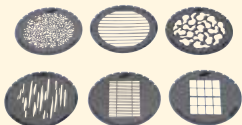
Gel Sets

Cut to size for our filter holders, or larger, to be clipped on to the front of our barn doors: diffusion, blue, effect colors and warm tone filters.



DG...

DP1.1



DPGSET

DP1.1 including 85mm projection lens

The DP1.1 Universal Imager works with:

DPFS

Framing Shutters – Moveable masks for precision light and shadow forms.

DPIR

Iris

DPGH Gobo Holder

DPGSET Gobo Set – 6 pieces.

DPACP

Accessory pouch for gobo, scrims, etc.

Gobo Projections:

Our steel gobos are available in more than 300 different shadow patterns (see gobo catalog), while the range of glass gobos available include multi-colored and made to order variations. Gobos for DP1.1 need DPGH gobo holder.

DP2.1



DPL30M

DPL50M

DPL60M



DPL85M

DPL150.1M

DPL185M



DPL120M

DPL150M

DPX

DP2.1 including 85mm projection lens

Is the same as the DP1.1, but with integrated framing shutter leaves which are easier to adjust (not suitable for iris or gobo projection).

All Imagers use interchangeable lenses. These precision optics include eight different focal lengths, covering wide angle, standard, telephoto and zoom.

DPL30M

Wide-angle lens 30mm, f1.8

DPL50M

Wide-angle lens 50mm, f2.8

DPL60M

Wide-angle lens 60mm, f2.4

DPL85M included with DP1.1 and DP2.1

Standard lens 85mm, f2.8

DPL150.1M

Projection lens 150mm, f2.2

DPL185M

Projection lens 185mm, f3.5

DPL120M

Zoom 70 – 120mm, f3.5

DPL150M

Zoom 85 – 150mm, f3.5

PROJECTION/IMAGER ATTACHMENTS



The optics of these attachments have been carefully designed to match the dedolight double aspheric system (when used on other light sources, they will show inferior results). They offer highly precise light and shadow edges without:

- Color fringing
- Halation
- Distortion

...which plague other comparable systems in a variety of combinations.

PROJECTION/IMAGING SYSTEMS

- Create interesting background projections with gobos (for example during interviews), with otherwise dull backgrounds.
- Create the most precise effects and accents – down to the smallest detail.

PROJECTION SYSTEMS

IMAGER

THE DP1.1 – UNIVERSAL-IMAGER USES

- To create interesting background projections with gobos (for example during interviews), with otherwise dull backgrounds.
- To create a specific mood in your images, such as with large projections on the entire background.
- To place high precision accents or effects on your product shots, even for the smallest conceivable objects (i.e. select facets of a diamond may be specially lit). This can be done with a combination projection lens and extension tube.
- To give a video interview a “film look.” Almost all video cameras use lenses that deliver an extended depth of field compared to those used with film cameras due to their small sensor area in relation to the larger film image. The result: the background remains in focus. There is no separation from the background as you would get with the more limited depth of field of a film camera.

An out of focus background projection created by one of dedolights DP1.1 imagers cannot be put back into focus by any video camera. This provides better separation between foreground and background, and gives the impression of greater depth – the magic of image creation.

BACKGROUND-EFFECT-FILTERS

Use with DP1.1 Imager

Five different structures in eight colors create miracles for your background.

Amazing change of shapes and moods when changing sharp projection to “out of focus”.

Can be combined (sandwiched) with steel gobo patterns.

All Effect Filters are available in:

*Orange (O), Purple (P),
Light blue (LB), Red (R),
Magenta (M), Yellow (Y),
Turquoise (T), Light green (LG).*

Order code example:

DFXT6-R = “Mystic Squares“ in red



DFXH

Effect Glass Holder



DFXT4

Effect Glass "Waves"



DFXT6

Effect Glass
"Mystic Squares"



DFXT8

Effect Glass "Crystal"



DFXT9

Effect Glass "Flow"



DFXT11

Effect Glass "Cells"

DEDICATED SOFT LIGHTS

Every portable studio should include one or two soft lights.

The dedicated dedolight soft lights do not work like the usual soft box attachment in front of a studio light. Such traditional versions are large and unwieldy and offer only a limited light output.

Worst of all, they usually show a **hot spot** in the center of the diffuser; totally contrary to the basic concept of a soft light as a “wrap around” light source.

dedolight soft lights are designed to achieve the best possible soft light, and currently come in 11 different versions: 7 tungsten systems and 4 interchangeable daylight/tungsten systems.

- You get an even soft light, with no hot spots, because the light source sits at the focal point of the textile reflector.
- They have a higher light output (two times). The front diffuser is completely evenly lit.
- Extendable patented holding arms for the rods of the soft boxes allow the use of soft boxes of various sizes in order to adapt the character of the light and the transparency of the shadow borders to the distance from the object (one person/several people).

The very small, dimmable DLH1x150S mini has a light output equal to a soft box in front of a 500W studio light, making it the perfect choice for the portable studio. All dedolight soft lights have unique characteristics that make them particularly flexible and creative lights – right up to a DLH4x150S unit that can be tuned to give you just the light you want, up to the equivalent of a 2 kW Fresnel fitted with a soft box.

How it should **NOT** look: with a hot spot.



DLH1x150S
with DSBSXS

PANAURA® 5

THE PORTABLE WINDOW

The Panaura® 5 is the largest of our 11 soft lights. It gives extremely smooth light distribution. With its minimal depth, the Panaura® 5 does not protrude into the room further than the leg of the stand. Its shallow, easily set up construction is perfect for working in confined areas. If adding the optional grid (40° louver), the professional can retain the large smooth diffuser surface but give it distinct direction and keep the spill light away from the background.



SPA5DT

Interchangeable Panaura® 5 Daylight/Tungsten Kit:

- | | |
|---------------|---|
| 1 DLH400SDT | 400/575 W daylight/tungsten soft light head |
| 1 DEB400DT | electronic ballast 400/575 W |
| 1 DPOW400DT | cable, light head to ballast, 7 m (23 ft.) |
| 1 DEB400H | ballast holder with clamp |
| 1 HTP400S | high temperature resistant pouch |
| 1 DL400DHR-NB | ① 400/575 W daylight lamp |
| 1 DLPA5 | Panaura® 5 |
| 1 DST400S | stand |
| 1 DSCPA5 | soft case |



Size: 94 x 37 x 21 cm / 37" x 14.6" x 8.3" Weight: 12.5 kg / 27.6 lbs

Option:

- | | |
|-------------|---|
| DLPA5G | Panaura® 5 grid (40°) |
| DL575THR-NB | ② High output 575 Watt – Tungsten discharge lamp; perfect color rendition; fully compatible with the daylight lamp; same ballast; same light output, 4 x higher than halogen (not included in kit price.) |

SPA5T

Panaura® 5 Tungsten Kit:

- | | |
|-----------------|----------------------------------|
| 1 DLH1000SPPLUS | 1000 W tungsten soft light head |
| 1 HTP1000S | high temperature resistant pouch |
| 1 DL1000FEL-NB | lamp 120 V/1000 W or |
| DL1000FEP-NB | lamp 230V-240V/1000W |
| 1 DLPA5 | Panaura® 5 |
| 1 DST400S | stand |
| 1 DSCPA5 | soft case |

Size: 94 x 37 x 21 cm / 37" x 14.6" x 8.3" Weight: 9.2 kg / 20.3 lbs

Option:

- | | |
|--------|-----------------------|
| DLPA5G | Panaura® 5 Grid (40°) |
|--------|-----------------------|

3-LIGHT KIT



Code: **SPS3**



SPS3

1 DLH1x150S	soft light head, 150 W tungsten
1 HTP150S	high temp. resistant pouch
1 DT24-1*	power supply, 150 W/24 V
1 DSBSXS	dedoflex mini soft box
2 DLHM4-300*	light head with built-in transformer
2 DPLS	light shield ring
2 DBD8	barn doors
1 DLTFH	dedoflex holder
1 DFT30	diffuser, translucent
1 CLAMP1	clamp
1 DH2	wall holder
3 DST	stand
1 DSTFX	flexible stand extension
2 DL150-NB	halogen lamp 150 W/24 V, clear
4 DL150	halogen lamp 150 W/24 V, black tipped
1 DSC1	soft case

Size: 65 x 23 x 30 cm / 25.5" x 9.1" x 11.8" Weight: 12 kg / 26.5 lbs

*) add suffix when ordering "E" for 230 V (Europe), "A" for 240 V (Australia), "G" for 240 V (Great Britain), "J" for 100 V (Japan), "U" for 117V (USA)

QUICK AND EASY

For many small mobile teams, it is not only important to work effectively and offer the best possible quality, but also to work on a deadline.



To help achieve this, dedolights can be set up faster and easier than any others.

Typically, the biggest delay comes at the end of the shoot, when light heads are hot, making "tear down" difficult. With dedolight's heat resistant pouches, made with ceramic textile space technology materials, mobile professionals can quickly pack the hot light heads from the soft lights without any delay. There is no problem packing the focusing light heads while still warm.

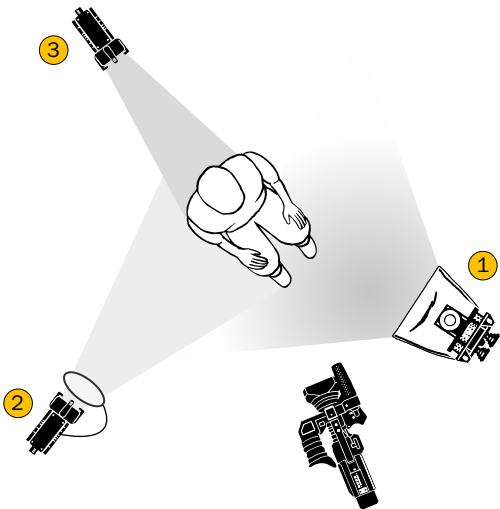
How To LIGHT WITH THE 3-LIGHT KIT



SET UP IN 15 MINUTES OR LESS.

The same time period applies for the set up of the 5-light kit.





THE MOST ECONOMICAL SYSTEM – OPERATIONAL COST

With the exception of the 1000 W soft light (DLH1000S) all of the other light sources described here are low voltage lights (24 V /150 W).

THE ADVANTAGES:

- **LIGHT OUTPUT** – Apart from the distinctly higher light output provided by our revolutionary optical system, our 24 V lamps provide 40 lumen per watt in comparison to standard halogen lamps, delivering just 20 lumen per watt.

The dedolight low voltage system offers comparable light output to a traditional 500W studio light source.

- **LIFETIME** – Traditional halogen lamps for 3200 K are usually described as having a life expectancy of 150 hours.

When used at 3200 K the dedolight lamps run approximately 600 – 800 hours. Even using maximum voltages at 3400 K, we still reach approximately 120 hours.

Traditional halogen lamps are very susceptible to vibration and shock, so mobile teams rarely ever reach the quoted lifetimes.

- **INDESTRUCTIBLE** – dedolight lamps are extremely resilient when subjected to hard knocks and vibration. In practice they achieve many times the life of traditional high voltage lamps.

**OUR LOW VOLTAGE LAMPS COST LESS THAN 1/4
OF COMPARABLE HIGH VOLTAGE LAMPS.**

UNBREAKABLE

dedolights have proven to be extraordinarily rugged and dependable under the toughest circumstances.

The highly developed double aspheric system is not only compact, but able to stand up to the toughest tasks (Dedo's experience in more than 40 countries pays off).

Transport: Do not hesitate to check in your kit at the airport. Although some baggage handlers are masters of destruction, you will arrive at your destination with functioning gear and no broken lamps.

AND, the painful charges for excess baggage will result in much lower rates than you are accustomed to.



MORE LIGHT IN THE SMALLEST PACKAGE

MAGIC IN
A BOX



5-LIGHT KIT



Code: **SPS5**

SPS5

2	DLH1x150S	soft light head, 150W tungsten
2	HTP150S	high temperature resistant pouch
2	DT24-1*	power supply, 150 W/24 V
1	DSBSXS	dedoflex mini soft box
1	DLGRIDXS	mini grid
1	DSBSS	dedoflex soft box, small
1	DLGRIDS	grid, small
3	DLHM4-300*	light head with built-in transformer
3	DPLS	light shield ring
3	DBD8	barn doors
3	DFH	filter holder
1	DGW	gel filter, warm tone
1	DGMB	gel filter, mixed blue
1	DGMD	gel filter, diffusion
1	DGCOL	gel filter, color effect
1	DSCK	scrim set
1	DSCP	scrim pouch
1	DP1.1	projection Attachment/Imager
1	DPGH	gobo holder
1	DPGSET	gobo set
1	CLAMP1	xlamp
1	DSTFX	flexible stand extension
5	DST	stand
2	DLBOX	plastic box
4	DL150-NB	halogen lamp 150 W/24 V, clear
6	DL150	halogen lamp 150 W/24 V, black tipped
1	DSC2	soft case

Size: 83 x 30 x 33 cm / 32.7" x 11.8" x 13" Weight: 20 kg / 44 lbs

*) add suffix when ordering "E" for 230 V (Europe), "A" for 240 V (Australia), "G" for 240 V (Great Britain), "J" for 100 V (Japan), "U" for 117 V (USA)

NEW BACKPACK OPTION FITS ALL PORTABLE STUDIO KITS

To carry:

Easy, comfortable, ergonomic top quality adjustable shoulder and belt straps with two handles.

To pack:

Adjustable inner dividers offer protection, easy handling and balanced weight distribution.

To ship:

Shoulder and belt straps disappear in the zip-up kangaroo pouch. Backpack can be checked in as luggage without worrying about airport baggage handlers who have a talent for destroying equipment.

To store:

Made with top quality materials and components to protect your equipment.

Size: 70 x 50 x 30 cm / 27.5" x 20" x 12"

Weight: 4.5 kg / 10 lbs



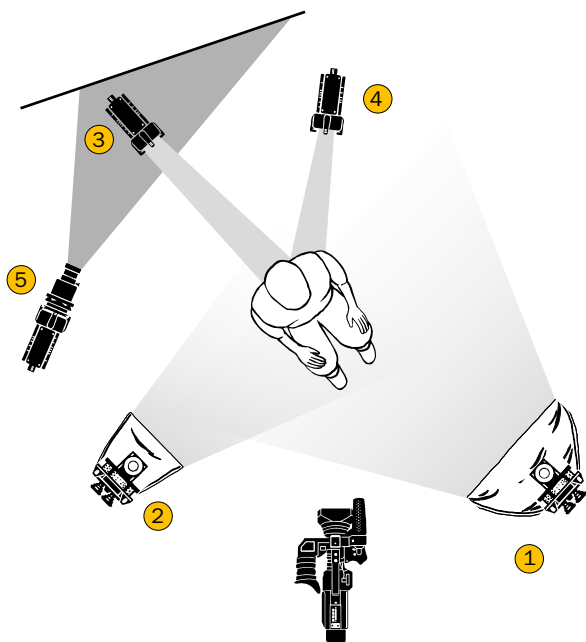
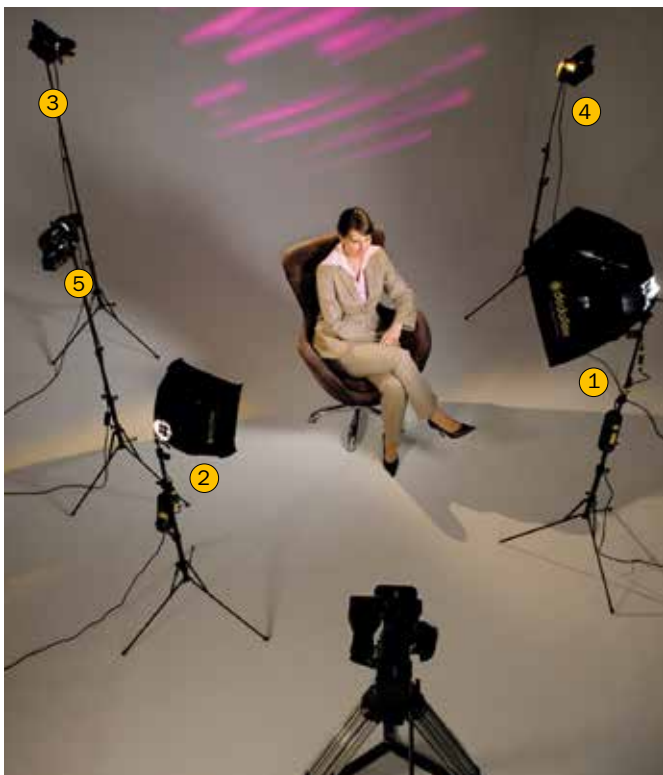
How To LIGHT AN INTERVIEW

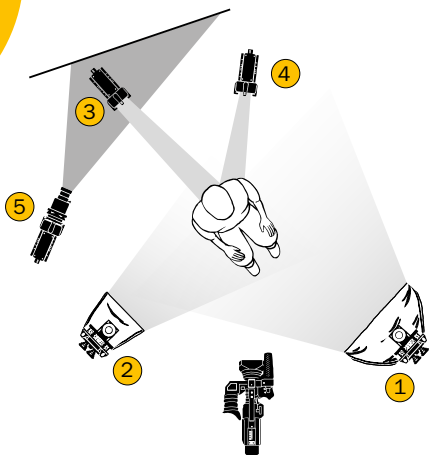


SET UP IN 15 MINUTES.

Light one person, or many, for an interview or portrait with the same kit.







1 KEY LIGHT

We recommend a dedolight DLH1x150S soft light fitted with a small dedoflex dome (DSBSS) and louver grid (DLGRIDS). The dedolight soft light system offers unique, smooth and even light without hot spots on the diffuser, as you would find when using traditional soft boxes on the front of studio lights.

With all dedolight soft lights, the actual light source is in the focal point of the textile reflector. This is how we achieve double the light output in comparison to soft boxes in front of a studio light. In addition, this soft light features a glass reflector, which further heightens the light output and improves the light distribution.

2 FILL-LIGHT

A 150W dedolight soft light (DLH1x150S), with a mini soft box (DSBSXS) and 12" x 12" (30 x 30 cm) diffuser. This light has been used in several major Hollywood film productions (often exceeding \$100 million budgets) as a portrait light for some of the world's best-known actors. Depending on the end use (film/TV/photo) and on the desired character of the image, one can opt for a ratio of 1:2 between the key light and fill light (TV) or a higher ratio for film lighting that is more dramatic. The dedolight DLH1x150S soft light when used with DT24-1* in-line power supply/ dimmer is switchable to 3400K, 3200K and fully dimmable.

** add suffix when ordering "E" for 230 V (Europe), "A" for 240V (Australia), "GB" for 240 V (Great Britain), "J" for 100 V (Japan), "U" for 117V (USA)*

3 BACKLIGHT

The backlight should separate your subject from the background and help create a seemingly 3D effect and the illusion of depth. The unique character of the focusing dedolight DLH4 allows for the fine tuning of the backlight with utmost precision. A slightly cooler color temperature is often desirable for the backlight. This light can be set for a color temperature of 3400 K without using any filters.

Because of its enormous focusing range and the various control accessories, it is possible to partially lower the intensity for defined areas of the image should they otherwise be too bright (contrast ratio), or to place defined accents on darker areas of the image.

The clean beam, without any stray light, can avoid unintended light in the camera lens. Focusing, scrims and dimmability allow such effects to be fine tuned so that they can add to the image creatively without being obvious. Subtlety is the key. The flexible stand extension allows you to place the light source closer to the subject without the lighting stand being in the shot.

4 THE KICKER – THE CONTROL LIGHT

This can be placed on the unlit side of the face to give heightened plasticity and dimensionality or modeling. As with the backlight, being able to precisely tune the intensity of the lit area and color temperature is key.

5 THE BACKGROUND LIGHT

Use the louver/grid on the key light in order to keep unwanted stray light away from the background – this way you don't lose control over this very important image detail.

TWO VARIATIONS:

- a) Using the focusing DLH4 light head for the background, professionals can choose the desired intensity for the background. With barn doors, half scrims or graduated scrims, you are able to create a light and shadow form that suits the desired image. The dimmability, diffusion, warm tone or effect gels help to create the desired mood, without detracting from the subject.
- b) With the DLH4 light and DP1.1 imager attachment our background effect filters (page 10 and 11) open up a world of creative effects and moods.
You are able to project shadow patterns (gobo), such as leaf patterns, venetian blinds, window shadows, abstract or neutral patterns, etc. There are over 300 different gobo patterns to choose from.
You can even combine our background effects filters with the steel gobos.

By defocusing (changing the focus position of the projection lens until the projected image is out of focus), you are able to create the impression of greater depth and so separate the subject from the background and create the “film look.” In a feature film, shot on 35 mm film, this look can appear natural by the selective depth of field of the longer focal length lenses used.

With a video camera and its much smaller sensor, the same image size (angle of view) is achieved with much shorter focal lengths, which will also leave the background in focus. No video camera can put an out-of-focus projection back into focus.

For interviewing two, three or more people, you can put a medium size soft box on the key light, and the small size soft box on the fill light, or cross light with two matched key lights, plus two matched back lights.



USEFUL EXTRA EQUIPMENT AND MOUNTING DEVICES

CLAMP1 ⁽¹⁾

dedolight clamp

The dedolight clamp attaches securely to stands, pipes, shelves, etc. It is fitted with a 16 mm (5/8") stud that pivots and locks in two positions.

Weight: 147 g (5.2 oz.)



DSTFX ⁽¹⁾

dedolight flexible stand extension

Works with DST stand, CLAMP1, or any 16 mm (5/8") stud. It can be bent in any direction, even S-shaped. Particularly useful to position a backlight on a lighting stand, which might otherwise be visible behind your interview subject. Bend it twice so that the stand can be moved further out of picture. Connect the soft case with a cable tied to the stand as counterweight.

⁽¹⁾ CLAMP1 and DSTFX are included in all PS kits.



DLTFH

Flexible arm with three clips

Holds dedoflex 30 cm (12") translucent diffuser. Mounts between light head and stand. Converts focusing light to a soft light source.

DFT30

translucent dedoflex Ø 30 cm (12")

Set DLTFH/DFT30

included in SPS3

flexible holder – mounts between light head and stand. Includes foldable translucent diffuser (DFT30). Converts focusing light head to a soft light source.



DLTFH/DFT30

DH2

wall holder

Made of special elastic aircraft aluminium, the dedolight holder not only tapes to flat surfaces but cutouts in the plate allow it to be attached to table legs and small or large pipes. Use the supplied mounting chains or gaffer tape, nails or screws.

Weight: 142 g (5 oz.)



4-LIGHT KIT (BACKPACK)



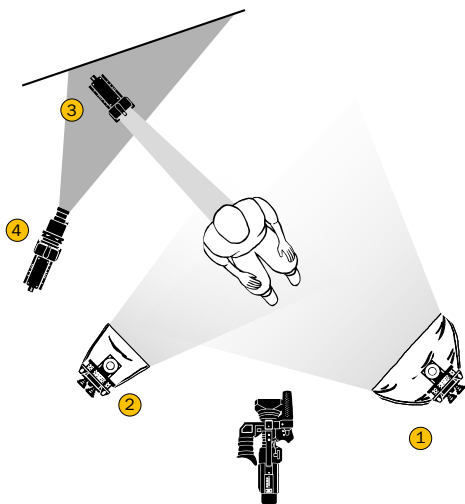
Code: **BPS4**

BPS4

2	DLH1x150S	soft light head, 150 W tungsten
2	HTP150S	high temperature resistant pouch
3	DT24-1*	power supply, 150 W / 24 V
1	DLH4	light head
1	DLHM4-300*	light head with built-in transformer
1	DSBSXS	dedoflex mini soft box
1	DLGRIDXS	grid, mini
1	DSBSS	dedoflex soft box, small
1	DLGRIDS	grid, small
2	DPLS	light shield ring
2	DBD8	8-Leaf barn door
1	DSCK	scrim set
1	DSCP	scrim pouch
1	DP1.1	projection Attachment/Imager
1	DPGH	gobo holder
1	DPGSET	gobo set
1	DCAR3	adapter cable for car cigarette lighter
1	DXBAT4-3	battery cable with 4-Pin-XLR connector
4	DST	stand
1	DSTFX	flexible stand extension
1	CLAMP1	clamp
1	DH2	wall holder
4	DL150-NB	halogen lamp 150 W/24 V, clear
4	DL150	halogen lamp 150 W/24 V, black tipped
2	DL100-NB	halogen lamp 100 W/12 V, clear
2	DLBOX	plastic box
1	DBP	backpack

Size: 70 x 50 x 30 cm / 27.5" x 20" x 12" Weight: 18.7 kg / 8.5 lbs

*) add suffix when ordering "E" for 230 V (Europe), "A" for 240V (Australia), "G" for 240 V (Great Britain), "J" for 100 V (Japan), "U" for 117V (USA)



THE DAYLIGHT CHEAT

Many interior scenes have to accommodate daylight. **FOCUSING** dedolights can be used with a dichroic daylight conversion filter (DDCF – light loss one stop) leaving enough light intensity for backlight and kicker.

For background effect projections the light level with this filter may be limited: reduce size of projection area or create a background effect without imager/projection.

For **SOFT LIGHTS** the “cheat package” offers blue and half blue diffusers (loss with full conversion: two stops).

How to handle this situation?

- EITHER reduce image size so that soft light can be used from close proximity.
- OR–use “half conversion” and set white balance according to area lit by half conversion. This will render the image areas lit by pure daylight in a somewhat cooler way. Quite acceptable in many cases.
- OR–use the incoming daylight as key light because the fill light soft light needs less intensity.
- OR–in the 5-light kit, replace one of the two soft lights with a DLH1000S dedolight soft light with medium soft box, which will allow a larger area to be lit.



A DLH1000S
soft light 1000 W

B DSBSM
soft box, medium with
white diffusers
(shown with optional
blue front diffuser)

C DLGRIDM
Grid 40°



DAYLIGHT CONVERSION PACKAGE FOR:

3-Light-Kit: SPS3-DAYCON

2 Dichroic filters, half blue and full blue diffusers for mini soft box

4-Light-Kit (Backpack): BPS4-DAYCON

2 Dichroic filters, half blue and full blue diffusers for mini and small soft boxes

5-Light-Kit (Standard): SPS5-DAYCON

3 Dichroic filters, half blue and full blue diffusers for mini and small soft boxes

SEPARATE 1000W Option: SEP1000-DAYCON

In addition to the 5-light kit with the SPS5-DAYCON package, 1 extra DLH1000S soft light, pouch, medium soft box with white, blue and half blue diffusers, grid, lamp 1000W, stand and soft case.

SUNDANCE

If your work includes daylight situations more often and you also want to work with more intense daylight, this is your best choice:

THE ONLY DAYLIGHT AND TUNGSTEN LIGHT KIT

S200-3

- | | | |
|---|-------------|---|
| 2 | DLH200DT | 200 W daylight/tungsten light head |
| 1 | DLH200SDT | 200 W daylight /tungsten soft light |
| 1 | HTP200S | high temperature resistant pouch |
| 3 | DPOW200DT | cable, light head to ballast, 7 m (23 ft.) |
| 3 | DEB200DT | flicker-free electronic ballast, 200 W (90-260 VAC) |
| 3 | DEB200H | ballast holder with CLAMP-C |
| 1 | DSBSM | dedoflex soft box, medium |
| 2 | DBD8 | 8-leaf barn door |
| 2 | DPLS | light shield ring |
| 2 | DTCF | tungsten conversion filter |
| 3 | DL200DHR-NB | 200 W daylight lamp |
| 1 | DL200THR-NB | 200 W tungsten ceramic lamp |
| 3 | DST | stand |
| 1 | DSC2 | soft case |

Size: 83 x 30 x 33 cm / 32.7" x 11.8" x 13"

Weight: 20 kg / 44.1 lbs



1. PRECISION FOCUSING – DLH200DT

- Fantastic light output and focusing range beyond any comparable system
- Surgically precise beam
- Perfectly even light distribution
- Accepts all classic dedolight accessories and imagers



2. GENTLE SOFT LIGHT – DLH200SDT

- Single purpose dedicated design
- The actual light source is in the focal center of the soft box
- Double the light output compared to soft box in front of a Fresnel
- Smooth and even light distribution on the diffuser
- Choice of many different sizes of soft boxes



BOTH LIGHTS

Convert from daylight to tungsten by simple lamp change—maintaining same high light output 80 lm/W – four times higher than halogen. Both lamps guarantee professional color rendition CRI >92.



SAME BALLAST

Works with daylight and tungsten lamps.



TIP!



Our focusing lights are described in the separate brochure „dedolight NEWS“

Latest generation of „TURBO SERIES“ focusing LED dedolights: see separate „TURBO“ brochure.

BREAKING NEWS:

Turbo Felloni multi LED panel light in bicolor version offers **FIVE TIMES** more light output over standard Felloni 50° bicolor. A powerful instrument.

End of 2018 we will publish a specific „Portable Studio LED brochure“ for small and smallest teams.

DEDO WEIGERT FILM on YOUTUBE

<https://www.youtube.com/user/DedoWeigertFilm>

DEDOLIGHT 'PORTABLE STUDIO' LIGHTING KITS

A 5-point lighting tutorial with CLASSIC DLH4 tungsten lights.



LIGHTING AGAINST DAYLIGHT - OUTDOOR ON LOCATION

One of many tutorial videos for the small teams. Quick and easy lighting setups for the daily business.

DEDOLIGHT 'PORTABLE STUDIO' LED LIGHTING KITS

A 5-point lighting tutorial with our DLED and FELLONI LED lights.



IS THAT ALL? (Teaser)

DEDO WEIGERT FILM on YOUTUBE

<https://www.youtube.com/user/DedoWeigertFilm>

THE SQUARE LAW (a.k.a. THE INVERSE SQUARE LAW)

Detailed information about the SQUARE LAW, the physical aspects and how they influence our images and scenes.



DEDOLIGHT - A LOW VOLTAGE SYSTEM

A deeper look to the properties and advantages of a low voltage lighting system, in combination with highly developed optics.

LIGHT AND SHADOW SHAPING - WITH IMAGERS

Learn more about precise lighting options and background composition with our unique DP1.1 and DP2.1 imagers.



DEDOLIGHT PANAUORA 7

Why do we talk about “dedicated” soft lights? What are the benefits of a Panaura dome? Learn more about our soft lights, which have been conceived as optimum soft light sources.

DEDO WEIGERT FILM on YOUTUBE

<https://www.youtube.com/user/DedoWeigertFilm>

EASY LIGHTING FOR THE SMALL TEAM

Simple and easy to reproduce lighting tutorial videos.



DEDOLIGHT IN PHOTOGRAPHY

Professional photographers talk about their experiences with our dedolight continuous lights.

DEDOLIGHT: LIGHTING BASICS, INSTRUMENTS & TOOLS

Detailed information about lighting basics and useful tips and hints for our lights.



INTERNATIONAL DEDOLIGHT COMPETITION 2015 - RESULTS

In 2015 we accomplished an „International dedolight Competition“ with winning prizes in worth a total of more than 100.000 Euros. This collections shows the 30+ winners.

Hope to find your name in the list of winners of our next „International dedolight Competition“



Dedo Weigert Film GmbH

Karl-Weinmair-Straße 10
80807 München
Tel: +49 (0)89 356 16 01
Fax: +49 (0)89 356 60 86

www.dedoweigertfilm.de
info@dedoweigertfilm.de
www.portablestudio.de
www.ledzilla.de
www.youtube.com/user/dedoweigertfilm