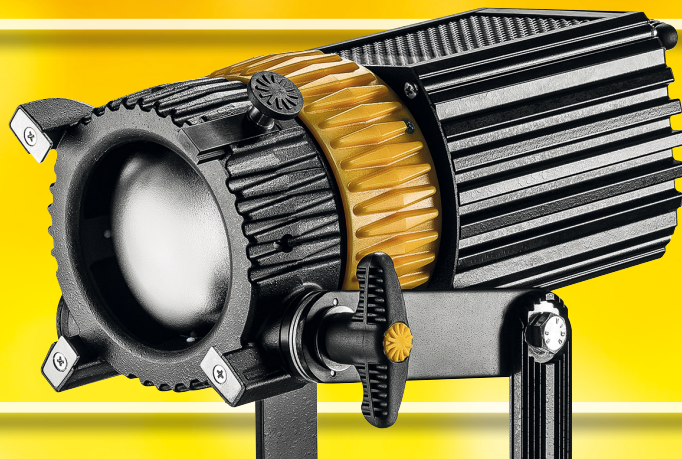




PRECISION LIGHTING INSTRUMENTS

# DLED10-BI BICOLOR OUR NEW FLAGSHIP



The DLED10 lights are extremely powerful compact and versatile.

See separate product information for daylight version.



## DLED10-BI – Bicolor Light Head

Bicolor 2700K – 6500K, allows the adaptation to changing situations of ambient light.

Ideally suited for the larger lighting task, also for mobile drama production, as well as for studios.

## DT10-BI – Bicolor Ballast

Autoranging: 90 - 264 V AC

Continuous Dimming: 100% - 0%

Continuous control of color temperature: 2700 - 6500 K

Stand mounting accessory (option)

## SETDLED10-BI - SET

incl.:

- **DLED10-BI** Light head bicolor
- **DT10-BI** Ballast bicolor and mains cable
- **DPOW10** Cable to light head
- **DPLS400** Light shield ring
- **DBD400** 8-leaf barn door

Option:

- **DEB400H** stand mounting accessory

These totally new dedolight LED lights offer:

- **Compact construction**
- **Aspherical optics**
- **Perfect performance**
- **Perfect light distribution**
- **Perfect color**
- **Super quiet, innovative cooling system**

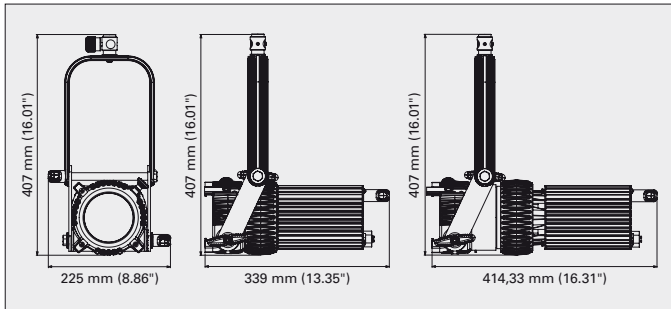
Permits the use of the following optical accessories:

- Non-spherical, wide-angle attachment DLWA400R
- DP400 imager / projection attachment with interchangeable modules for different tasks and interchangeable lenses  
Serves super precise light-/shadow-shaping and projections, the best, west and east of the Mississippi
- 8-leaf barn door DBD400
- Use of different soft boxes with speed ring DLSR8
- Parallel beam attachment DPBA-14. An amazing optical achievement, doubles the light output and opens the doors to the creative Lightstream system and the work with reflected light.

See separate dedolight Lightstream brochure.



## Technical Data: DLED10-BI

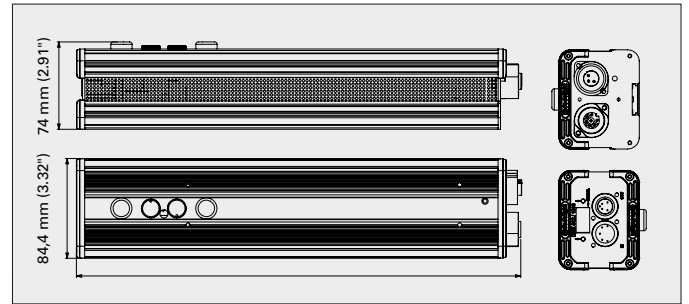


<b>Focusing range (with wide-angle attachment)</b>	50° - 4° (75° - 44°)
<b>Intensity range</b>	1 : 4
<b>Power consumption</b>	245 W
<b>Color temperature</b>	2700 - 6500 K
<b>Focus control</b>	1 ¾ turns on focus ring
<b>Mounting</b>	16 mm (5/8 ") receptacle and 28 mm (1 1/8 ") stud
<b>Operating position</b>	Any
<b>Tilt control</b>	Tilt pivot on right side of light head
<b>Accessory slot</b>	Ø 129 mm (5.1") diameter
<b>Cooling</b>	Extremely quiet hightec cooling system
<b>Safety</b>	IP20
<b>Size</b>	389 x 198 x 356 mm (15.3 x 7.8 x 14")
<b>Weight</b>	4,2 kg (9.3 lbs)

	daylight	tungsten
<b>CRI Ra</b>	95	97
<b>CRI Re</b>	92	96
<b>TLCI</b>	95	97
<b>Delta UV</b>	-0.0047	-0.0008
<b>Lux in 3 m flood position</b>	1.400 lx	
<b>Lux in 3 m spot position</b>	5.466 lx	
<b>Lux in 3 m with parallel beam attachment DPBA-14</b>	8.027 lx	

DLED10-BI Bicolor		in daylight function 5600 K					
Distance	Meter	1	2	3	4	5	10
Flood	Lux	12.600	3.150	1.400	788	504	126
Medium	Lux	16.632	4.158	1.848	1.040	665	166
Spot	Lux	49.194	12.299	5.466	3.075	1.968	492
DLED10-BI Bicolor		in tungsten function 3200 K					
Flood	Lux	10.395	2.599	1.155	650	416	104
Medium	Lux	13.725	3.431	1.525	858	549	137
Spot	Lux	42.003	10.501	4.667	2.625	1.680	420

## Technical Data: DT10-BI



<b>Input voltage</b>	90 V - 264 V
<b>Output voltage</b>	max. 48 V
<b>Watt</b>	350 W
<b>Dimming range</b>	100 - 0 %
<b>Control</b>	Dimming knob, DMX control
<b>Safety</b>	SELV, Protection Class I, IP20
<b>Input cable</b>	DCAB3A-SW 5 m (16.4')
<b>Cable to light head</b>	separate: DPOW10 = 7 m (23')
<b>Mounting</b>	Cable loop, option: stand mounting DEB400H (incl. CLAMP-D)
<b>Size</b>	377 x 84,4 x 74 mm (14.8 x 3.3 x 2.9")
<b>Weight</b>	2,2 kg (4.9 lbs)



**Dedo Weigert Film GmbH**

Karl-Weinmair-Straße 10  
D-80807 Munich, Germany

Phone: +49-(0)89 - 356 16 01  
Fax: +49-(0)89 - 356 60 86

info@dedoweigertfilm.de  
www.dedoweigertfilm.de