



Dyno 1200C

Powerful performance. Beautifully soft.

Dyno Series: the most innovative, versatile, energy efficient soft sources available.



Developed specifically for movie, television and media production applications, the Dyno Series 1200C delivers exceptional levels of smooth, consistent illumination.

With its powerful, yet beautifully soft output, the ultra-bright 1200C provides cinematographers and production crews with the perfect softlight solution for both studio or location work.

The smooth, class leading performance of the Dyno Series allows precision management over every aspect of its output. Flicker free, fully tunable between 2700K and 20,000K and dimmable from 0-100% in ultra-precise intervals of just 0.1% (1-100%), whether choosing tungsten, daylight or from over 16 million available colors, the creative possibilities are virtually limitless.

Featuring an exciting collection of preset, fully customisable effects plus an extensive „gel library“, the Dyno 1200C allows users to instantly switch between a huge variety of looks or to match almost any lighting filter configuration.

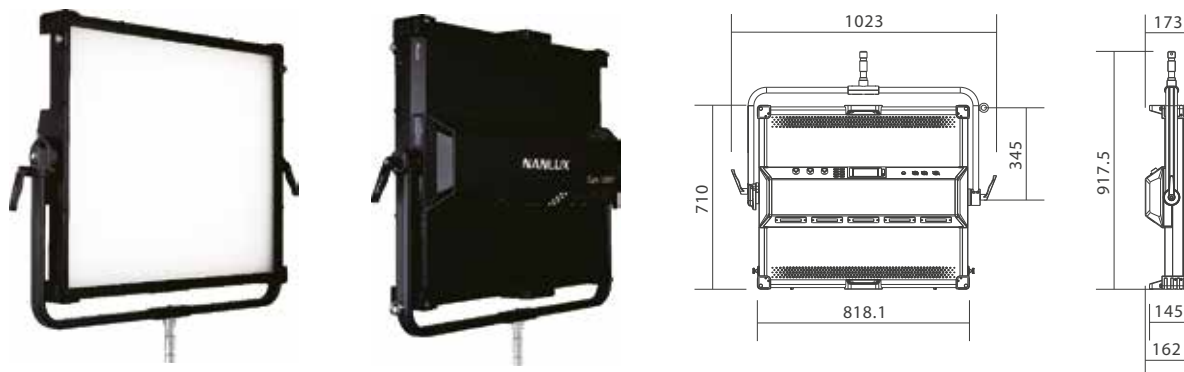
The low profile, intelligent design makes the Dyno Series quick to set up and simple to operate. The system's intuitive interface and clear, 4.3inch display, provides effortless control over color temperature, saturation, intensity and frequency.

Compatibility with wireless protocols plus DMX connectivity brings further flexibility when used as individual unit or as part of a linked installation.

Using state of the art LED technology, the Dyno 1200C has been expertly engineered to combine stunning levels of ultra-efficient, low energy illumination with complete control, allowing users the artistic freedom to innovate and explore.



Dyno 1200C RGBWW LED Soft Panel Light



Dyno Technical Data	
Model	Dyno 1200C
Power Consumption	Nominal 1200W, Max 1400W
LED Total Power	1392W x 5
Power Supply	AC100-240V 50/60Hz
OPTICAL	Beam Angle: 160° LED Type: RGBWW
CRI	Average 95
TLCI	Average 95
CCT	2700K-20000K(G/M)
Dimming	1 – 100% in steps of 0,1%.
Control	On-board control, 2.4G, Bluetooth, DMX (5 pin), RDM, LumenRadio
On Board Effects	Hue Loop, CCT Loop, INT Loop, Flash, Pulse, Storm, Police Car, TV, Paparazzi, Candle/Fire, Disco, Bad Bulb, Firework, Explosion, Welding
Housing	Aluminium
Mounting	Fully adjustable yoke 5/8"(28mm) Junior pin
Cooling	Fan, Max ambient temp: 45°C
Size	Light fixture: 1023 x 173 x 918mm Power adapter: 191 x 134 x 460mm
Weight	Light fixture: 26.2kg Diffuser: 3kg Power adapter: 7.5kg
Includes	Dyno 1200C x 1, Power Adapter x 1 Connecting Cable 5m x 1, Power Cable 3m x 1 Standard Diffuser x 1, ϕ 55 Light Stand Clamp x 1 USB Flash Drive x 1, User Manual x 1
Optional Accessories	Rectangular Softbox, Octagonal Softbox, 65° Eggcrate, Barndoor, Flight Case

Photometric Data					
Model		Dyno 1200C			
Distance		3M/9.84'	5M/16.4'	7M/22.96'	9M/29.52'
CCT Boost Mode	3200K	5083 lux 472 fc	2077 lux 193 fc	1145 lux 106 fc	720 lux 67 fc
	5600K	5596 lux 520 fc	2282 lux 212 fc	1247 lux 116 fc	779 lux 72 fc
CCT Standard Mode	3200K	4403 lux 409 fc	1804 lux 168 fc	975 lux 91 fc	613 lux 57 fc
	5600K	4718 lux 438 fc	1934 lux 180 fc	1048 lux 97 fc	658 lux 61 fc



Dedo Weigert Film GmbH

Karl-Weinmair-Strasse 10
D-80807 Munich, Germany

Phone: +49-(0)89 - 356 16 01
Fax: +49-(0)89 - 356 60 86

info@dedoweigertfilm.de
www.dedoweigertfilm.de

Dyno 1200C Options:

Eggcrate EC-DN1200C



Octagonal Softbox inclusive Eggcrate SB-DN1200C-O-EC



with inner diffuser

mit front diffusor

with Eggcrate

Rectangular softbox SB-DN1200C-RT+EC



with inner diffuser

with front diffuser

with eggcrate



Dedo Weigert Film GmbH

Karl-Weinmair-Straße 10
80807 München

Tel.: 089 - 356 16 01
Fax: 089 - 356 60 86

info@dedoweigertfilm.de
www.dedoweigertfilm.de