



# Dyno 650C

**Powerful performance. Beautifully soft.**

**Dyno Series – the most innovative, versatile, energy efficient soft sources available.**



Developed specifically for movie, television and media production applications, the Dyno Series 650C delivers exceptional levels of smooth, consistent illumination.

Compact and convenient, the Dyno 650C provides cinematographers and production crews with the perfect softlight solution for both studio or location work.

With its beautifully smooth, class leading performance, the Dyno Series allows precision management over every aspect of its output. Flicker free, fully tunable between 2700K and 20,000K and dimmable from 0-100% in ultra-precise intervals of just 0.1% (1-100%), whether choosing tungsten, daylight or from over 16 million available colors, the creative possibilities are virtually limitless.

Featuring an exciting collection of preset, fully customisable effects plus an extensive „gel library“, the Dyno 650C allows users to instantly switch between a huge variety of looks or to match almost any lighting filter configuration.

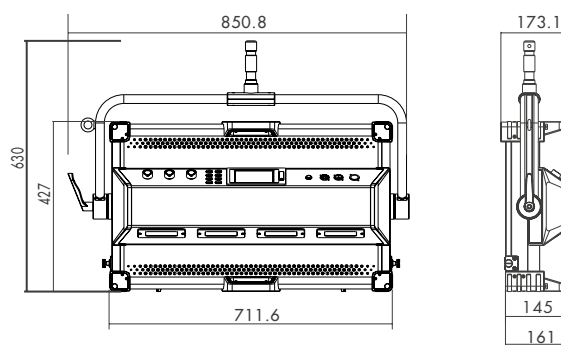
The low profile, intelligent design makes the Dyno Series quick to set up and simple to operate. The system's intuitive interface and clear, 4:3" display, provides effortless control over color temperature, saturation, intensity and frequency.

Compatibility with wireless protocols plus DMX connectivity brings further flexibility when used as individual units or as part of a linked installation.

Built using state of the art LED technology, the Dyno 650C has been expertly engineered to combine stunning levels of ultra-efficient, low energy illumination with complete control, allowing users the artistic freedom to innovate and explore.



# Dyno 650C **RGBWW LED Soft Panel Light**



Dyno Technical Data	
<b>Model</b>	Dyno 650C
<b>Power Consumption</b>	Nominal 650W, Max 700W
<b>LED Total Power</b>	672W x 5
<b>Power Supply</b>	AC100-240V 50/60Hz
<b>OPTICAL</b>	Beam Angle: 160° LED Type: RGBWW
<b>CRI</b>	Average 95
<b>TLCI</b>	Average 95
<b>CCT</b>	2700K-20000K(G/M)
<b>Dimming</b>	1 – 100% in steps of 0,1%.
<b>Control</b>	On-board control, 2.4G, Bluetooth, DMX (5 pin), RDM, LumenRadio
<b>On Board Effects</b>	Hue loop, CCT loop, INT loop, Flash, Pulse, Storm, Police Car, TV, Paparazzi, Candle/Fire, Disco, Bad Bulb, Firework, Explosion, Welding
<b>Housing</b>	Aluminium
<b>Mounting</b>	Fully adjustable yoke 5/8"(28mm) Junior pin
<b>Cooling</b>	Fan, Max ambient temp: 45°C
<b>Size</b>	Light fixture: 857 x 173 x 630mm Power adapter: 134 x 104 x 460mm
<b>Weight</b>	Light fixture: 15.8kg      Diffuser: 1.8kg Power adapter: 4.2kg
<b>Includes</b>	Dyno 650C x 1, Power Adapter x 1, Connecting Cable 5m x 1, Power Cable 3m x 1 Standard Diffuser x 1, $\phi$ 55 Light Stand Clamp x 1, USB Flash Drive x 1, User Manual x 1
<b>Optional Accessories</b>	Rectangular Softbox, Octagonal Softbox, 65° Eggcrate, Barndoor, Flight Case

Photometric Data		Dyno 650C			
Distance		3M/9.84'	5M/16.4'	7M/22.96'	9M/29.52'
<b>CCT Boost Mode</b>	<b>3200K</b>	2403 lux 223 fc	979 lux 91 fc	546 lux 51 fc	339 lux 31 fc
	<b>5600K</b>	2649 lux 246 fc	1082 lux 101 fc	601 lux 56 fc	373 lux 35 fc
<b>CCT Standard Mode</b>	<b>3200K</b>	2080 lux 193 fc	850 lux 79 fc	474 lux 44 fc	293 lux 27 fc
	<b>5600K</b>	2237 lux 208 fc	919 lux 85 fc	512 lux 48 fc	318 lux 30 fc



**Dedo Weigert Film GmbH**

Karl-Weinmair-Strasse 10  
D-80807 Munich, Germany

Phone: +49-(0)89 - 356 16 01  
Fax: +49-(0)89 - 356 60 86

info@dedoweigertfilm.de  
www.dedoweigertfilm.de

# Dyno 650C Options:

## Eggcrate EC-DN650C



## Octagonal Softbox inclusive Eggcrate SB-DN650C-O-EC



with inner diffuser

mit front diffusor

with Eggcrate

## Rectangular Softbox inclusive Eggcrate SB-DN650C-RT+EC



Dedo Weigert Film GmbH

Karl-Weinmair-Straße 10  
80807 München

Tel.: 089 - 356 16 01  
Fax: 089 - 356 60 86

info@dedoweigertfilm.de  
www.dedoweigertfilm.de